



www.timkid.de



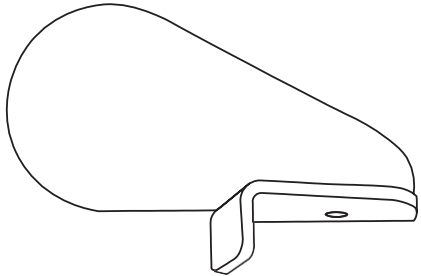
ASSEMBLY INSTRUCTIONS CLEVO

ALL PARTS FOR THE ASSEMBLY OF CLEVO

1x table support



2x footrest



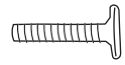
A 2x bolts for fastening the table top



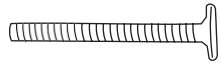
B 1x sleeve nut



C 1x for support to the table top 6x10 mm



D 1x for fastening the table support 6x25 mm



E 2x for fastening the seat plate 6x60 mm



F 2x grub screw fixation

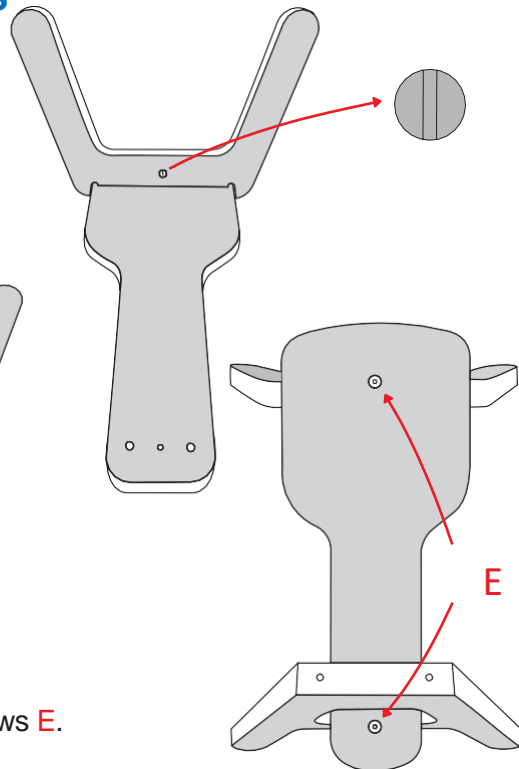
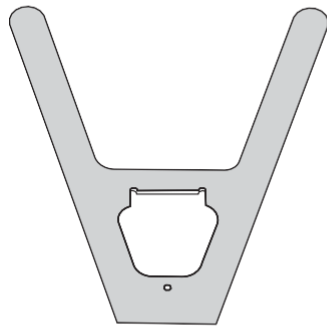


G 2x for footrest 6x15 mm

ASSEMBLY INSTRUCTIONS

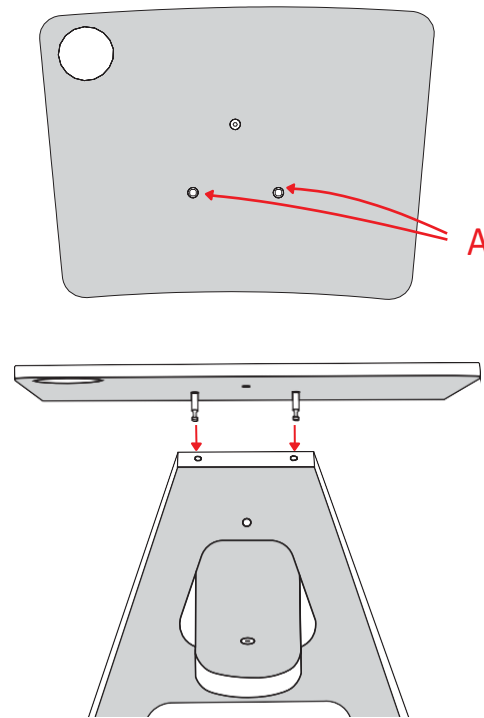
Insertion of the back leg.
Fixation with cross bolt nut
(is already present in the leg)

IMPORTANT! The nut must point inwards, the slot must be vertical.



Do the same with the front leg.

Tighten the seat plate with the screws E.



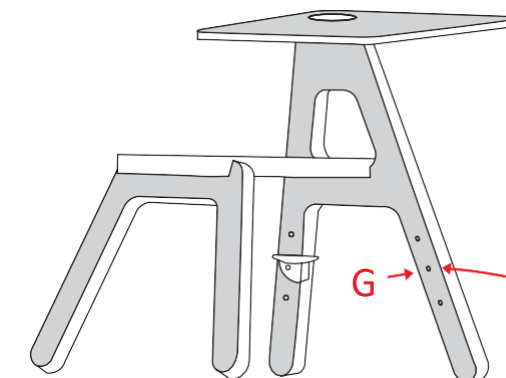
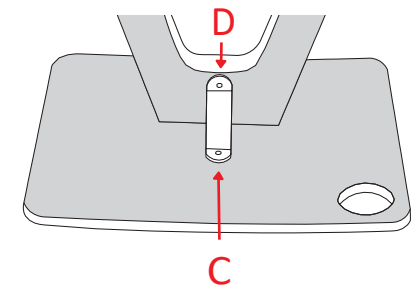
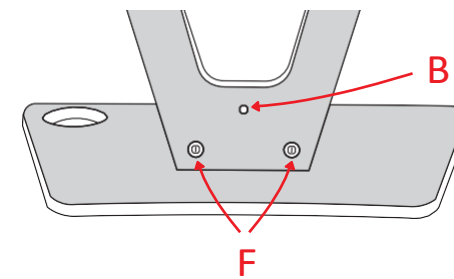
Screw the two bolts A into the table top.

Insert the table top with the bolts into the holes until it rests firmly.

Screw in grub screws F
Insert sleeve nut B from the inside.

Connect screw D with table support and sleeve nut B.

Fasten screw C with the table support into the table top.



Use the screws G to screw the footrests to the required height.

DONE!