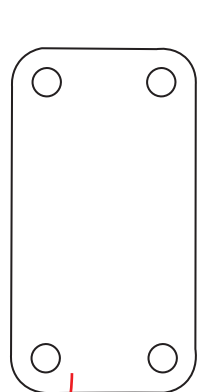
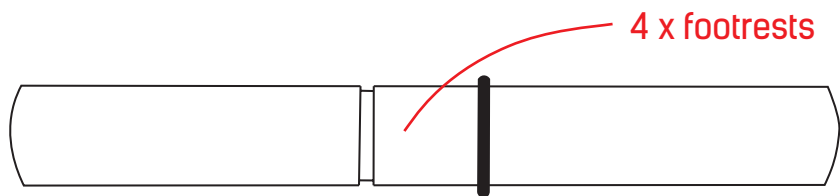




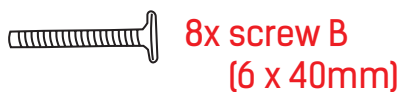
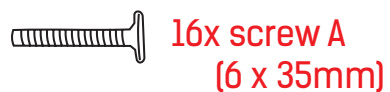
www.timkid.de

ASSEMBLY INSTRUCTIONS TAVI

ALL PARTS FOR THE ASSEMBLY OF TAVI

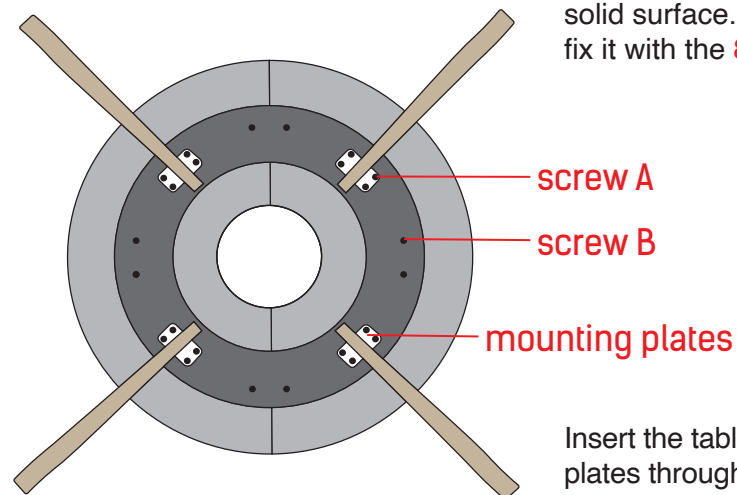


4x cross bolts for fastening the seat plates

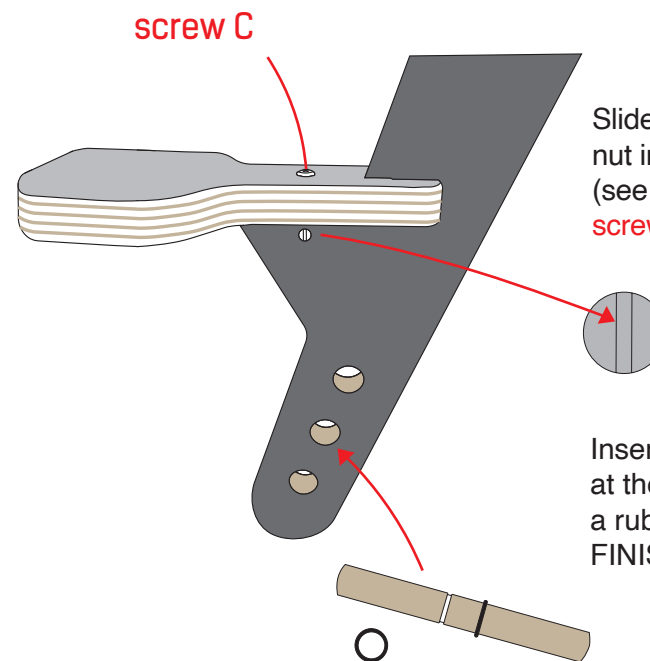


ASSEMBLY INSTRUCTIONS

Place the two table tops on a clean, solid surface. Put on the black ring and fix it with the 8 screws B (6 x 40mm).



Insert the table legs. Put the 4 mounting plates through the table legs and fix them with the 4 screws A (6 x 35mm).



Slide in the seats. Insert the cross bolt nut in the hole - with the slot vertical (see picture). Fasten the seats with the screw C (6 x 50mm).

Insert the 4 round rods of the footrests at the required height and fix each with a rubber ring.
FINISHED!

**IMPORTANT! Please make sure you are using the correct screws!
Please check the screws regularly for tightness!**